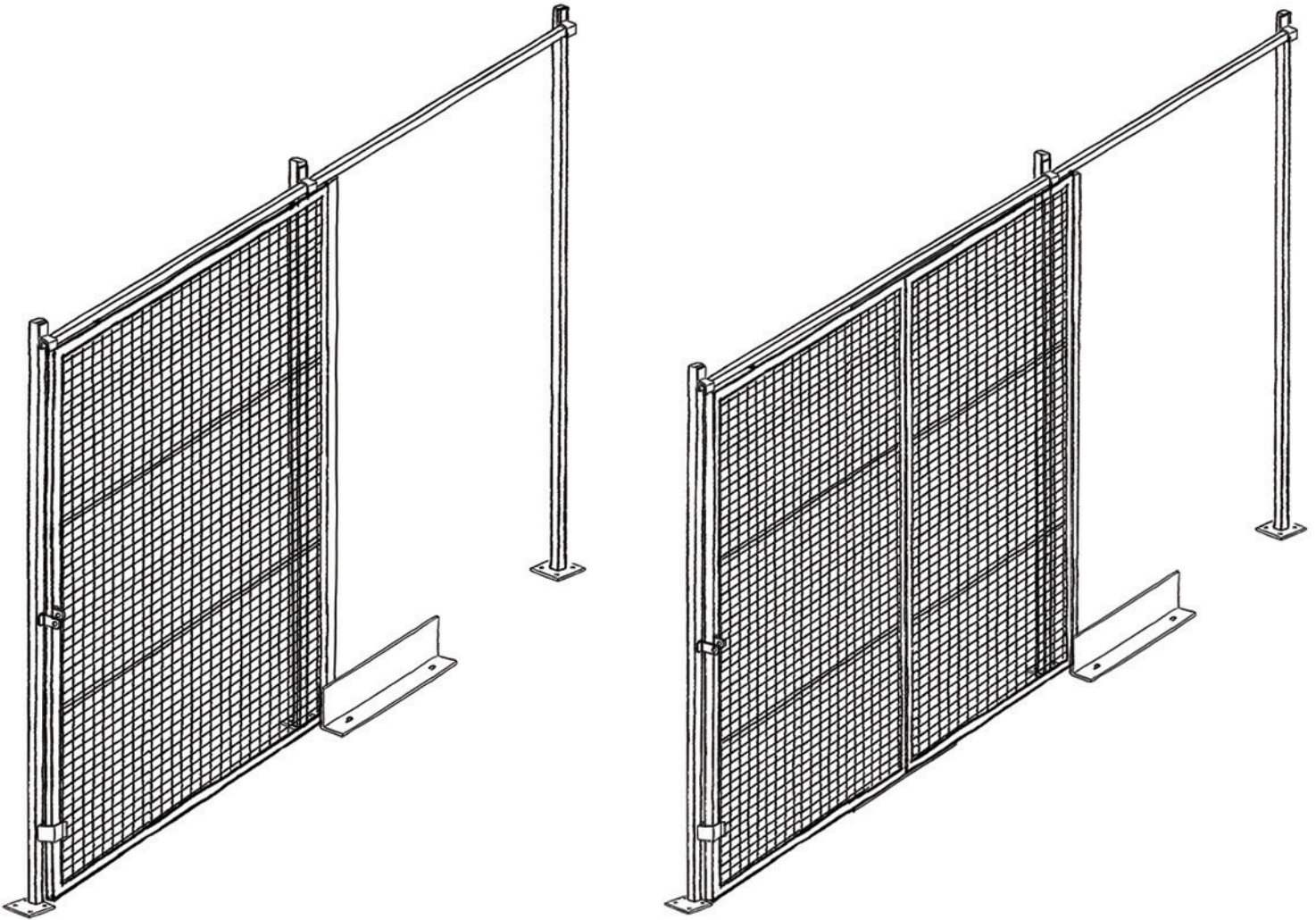


# INSTALLATION MANUAL

For the most current release of this manual,  
please visit our website at [cogan.com](http://cogan.com)

V.2016.1



<b>Product</b>	Partition
<b>Sub-product</b>	Gates - Sliding gate

- Equipped with a padlock hasp.
- Fully-suspended design using a galvanized upper track bolted to the partition posts.
- Floor guide to be anchored to the concrete slab.



A Tradition of Quality Since 1901

[cogan.com](http://cogan.com)

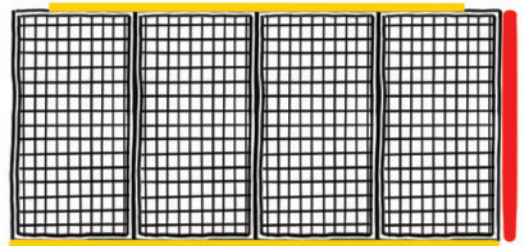
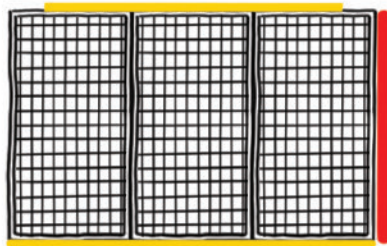
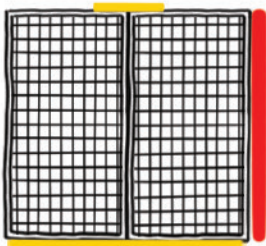
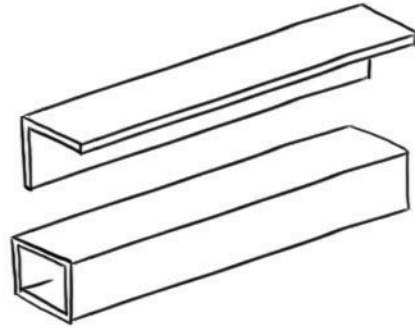
# LARGE SLIDING & BI-PARTING SLIDING GATE PANELING CHART

Please refer to the thumbnails below for the assembly of your gate.

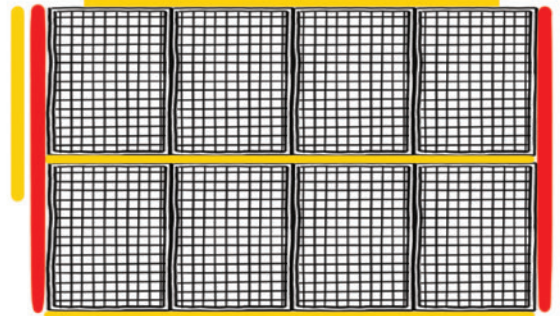
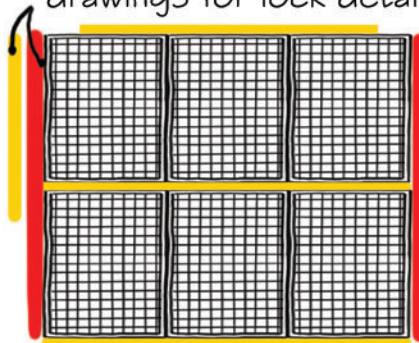
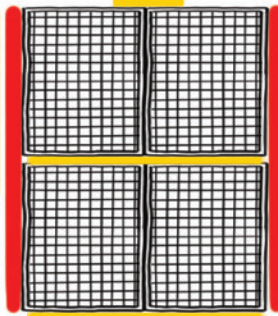
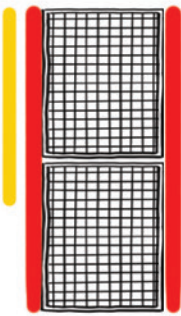
- For standard padlock hasp, a tubing is bolted on the opening side.
- When a cylinder lock is installed, an angle is bolted on the opening side. Note that the angle is shorter than the gate height, install the angle as per installation drawings provided with your project.

 1 1/4" x 1 1/4" structural angle

 1 1/2" x 1 1/2" tube

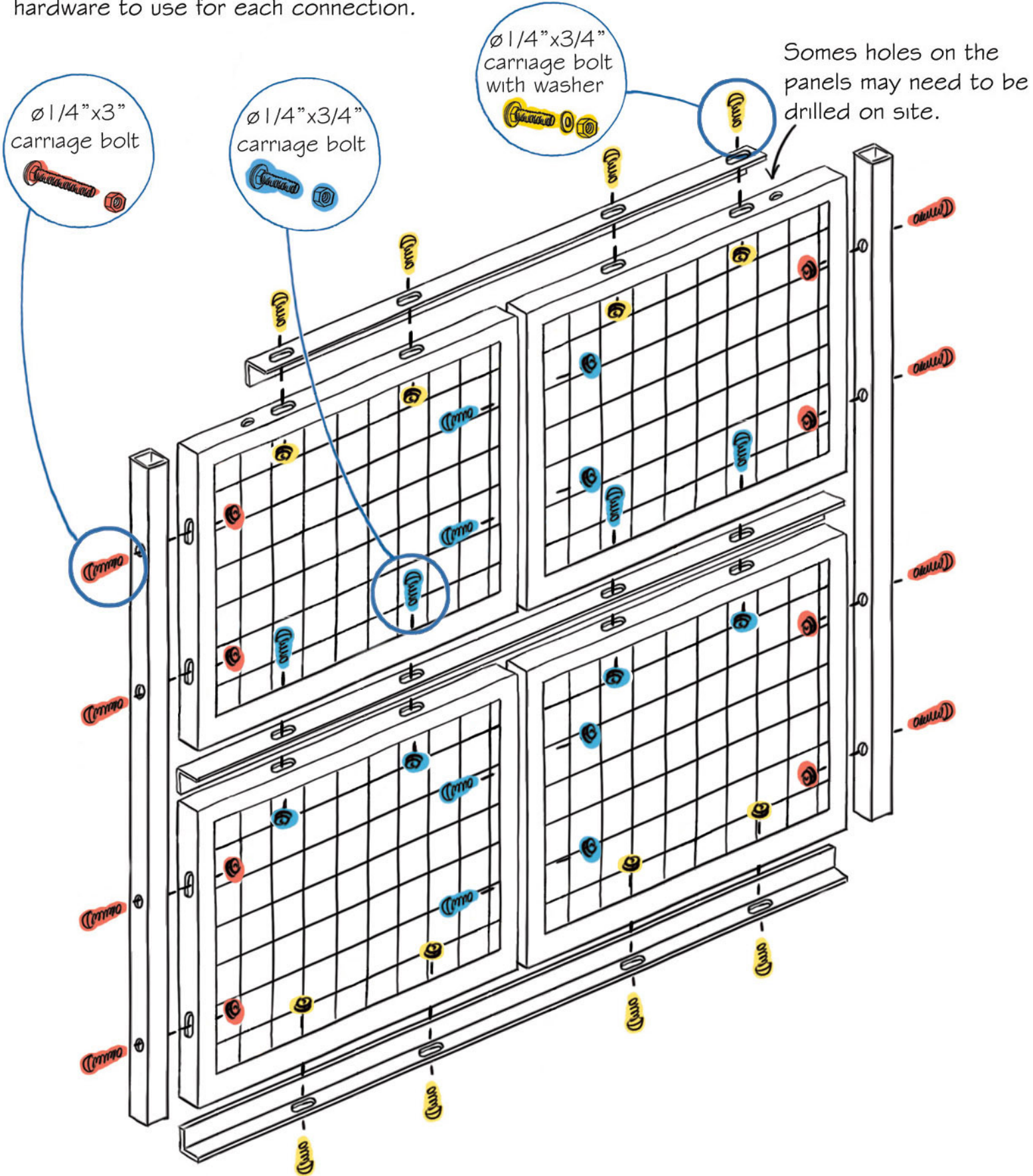


Angle or tube (refer to installation drawings for lock detail)



# TYPICAL CONNECTION / ASSEMBLY DETAIL

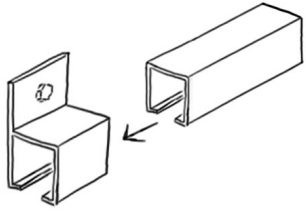
Please refer to the illustrations below for the assembly of your gate and the proper hardware to use for each connection.



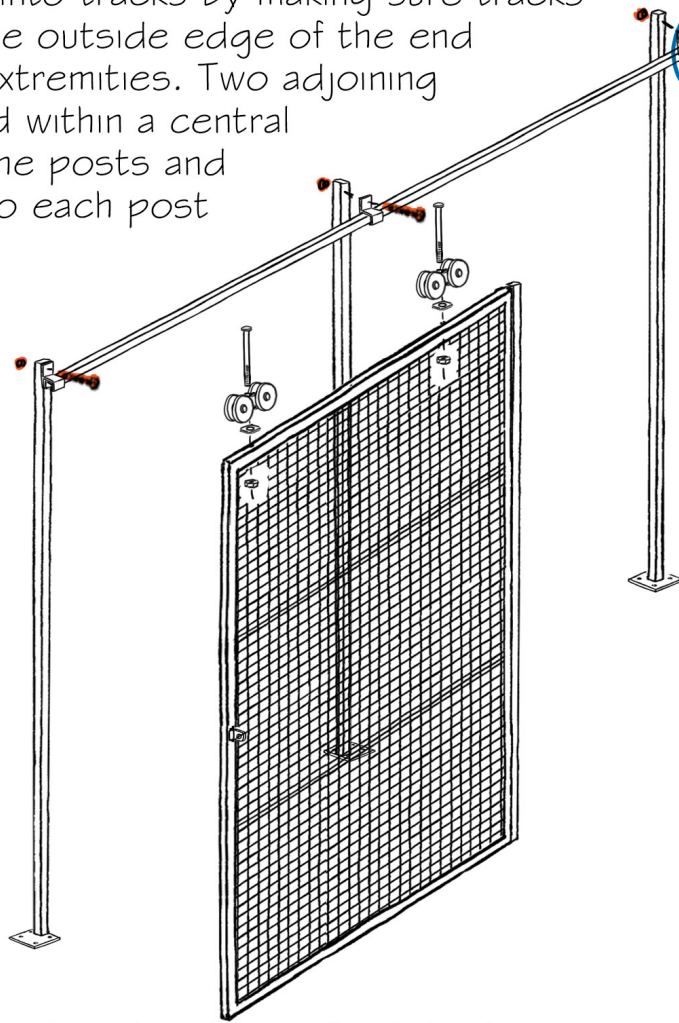
## STEP 1

### BRACKETS AND TRACKS

Slide the brackets into tracks by making sure tracks arrives flush with the outside edge of the end brackets on each extremities. Two adjoining tracks are centered within a central bracket. Then drill the posts and bolt the brackets to each post using 3" carriage bolts.



Note:  
If using different type of brackets, tracks and/or posts; refer to the last page of the manual.



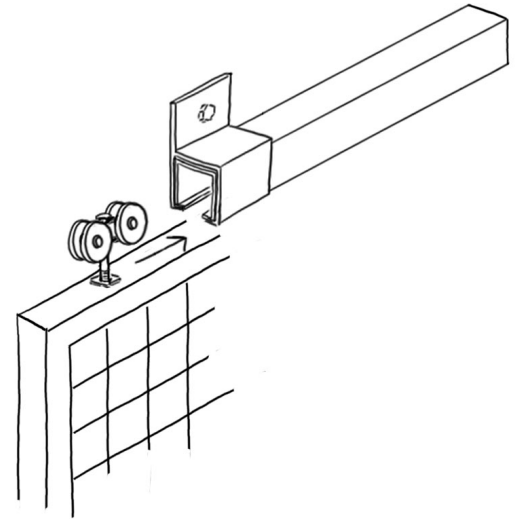
Ø 1/4" x 3" carriage bolt



## STEP 2

### INSTALL TROLLEY

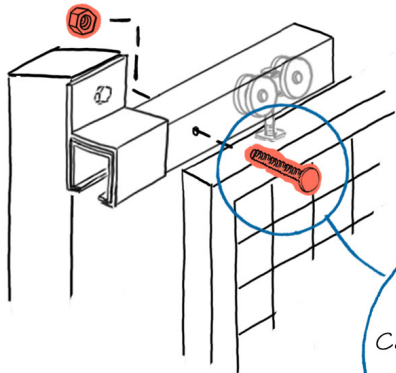
Install trolley assembly into predrilled holes on top of the door frame. Leave a 1" clearance between the top of door and bottom of wheels. Slide the assembled door into track.



## STEP 3

### SECURE TROLLEY

Once the trolleys are placed in the track, slide the door to fully clear the opening. Insert a carriage bolt directly beside the last trolley wheel to prevent the door from slipping out of the track. Repeat the same process on the other side. Slide the door shut to close the opening, allowing it to rest on the door stopper. Insert a carriage bolt directly beside the first trolley wheel.



Ø 1/4" x 3" carriage bolt

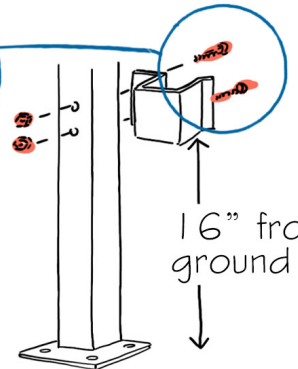


## STEP 4

### DOOR STOPPER

Bolt the stopper centered on the side of the post where the door closes.

Ø 1/4" x 3" carriage bolt



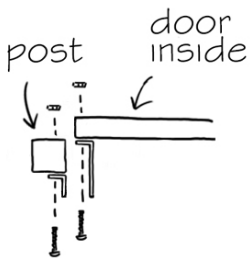
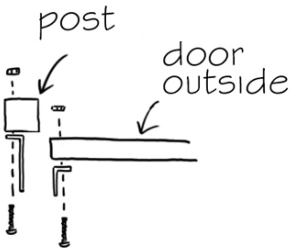
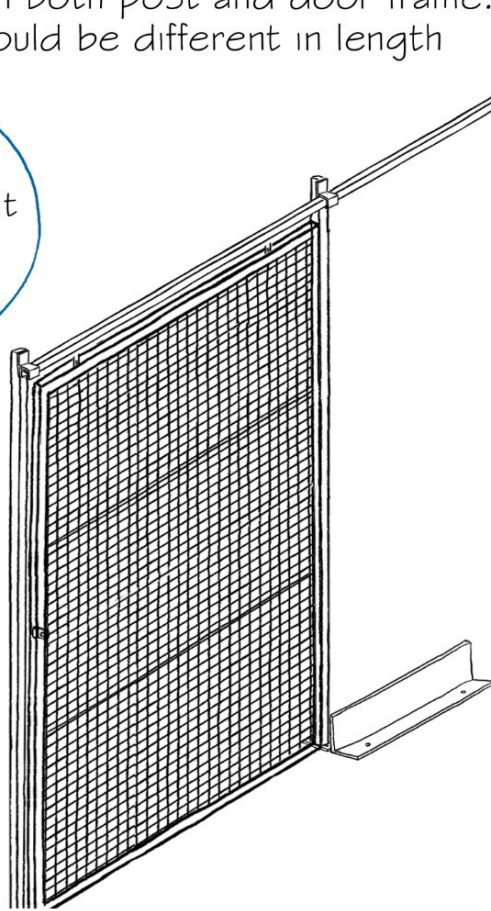
16" from ground

## STEP 5

### HASPS

Install the hasps using carriage bolts. Drill  $\varnothing 5/16$ " hole on both post and door frame. Both hasps should be different in length

$\varnothing 1/4$ "x3"  
carriage bolt



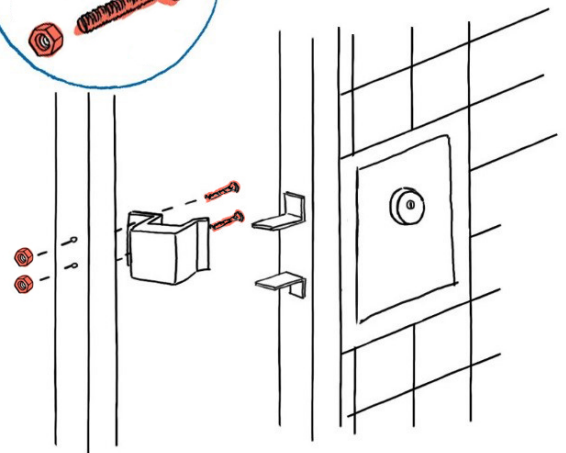
## STEP 6

### OPTIONAL LOCK (HASP REPLACEMENT)

Install the lock strike on the post

**Quick Tip:** Insert the lock strike on door and slowly close the door to see where it arrives. Then drill and bolt in place

$\varnothing 1/4$ "x3"  
carriage bolt



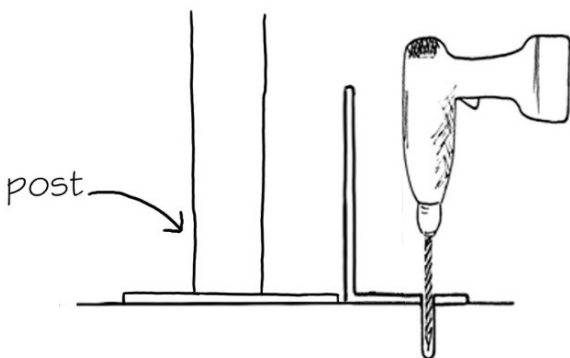
## STEP 7

### FLOOR GUIDE

Install guide 2" from the post where the door opens. Use  $\varnothing 3/8$ " x 2 3/4" anchors.

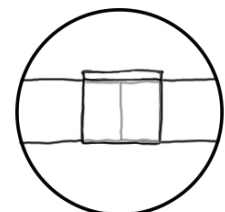
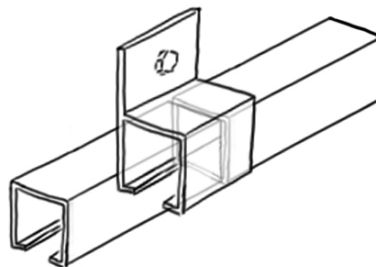


Hammer drill a hole with the same nominal diameter and at least as deep as the length of the anchor.

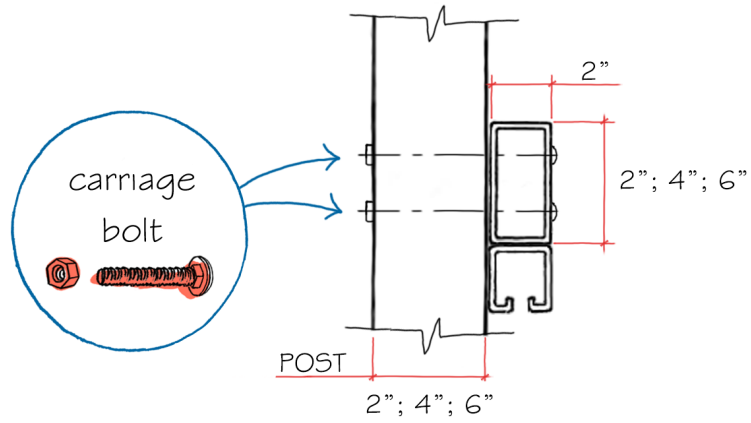


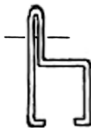
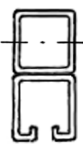
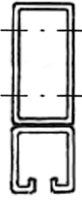




### TO INSTALL A BUTTED UP RAIL TUBE

If required to connect another tube to the track, the bracket needs to be centered of the two tubes. See below for reference.



PLAN VIEW



TRACK \ POST	TRACK	2x2	2x4	2x6
POST				
2x2 	1 Screw Ø1/4" x 3"	1 Screw Ø3/8" x 5"	2 Screw Ø3/8" x 5"	2 Screw Ø3/8" x 5"
2x4 	1 Screw Ø3/8" x 5"	1 Screw Ø3/8" x 7"	2 Screw Ø3/8" x 7"	2 Screw Ø3/8" x 7"
2x6 	1 Screw Ø3/8" x 7"	1 Screw Ø3/8" x 9"	2 Screw Ø3/8" x 9"	2 Screw Ø3/8" x 9"